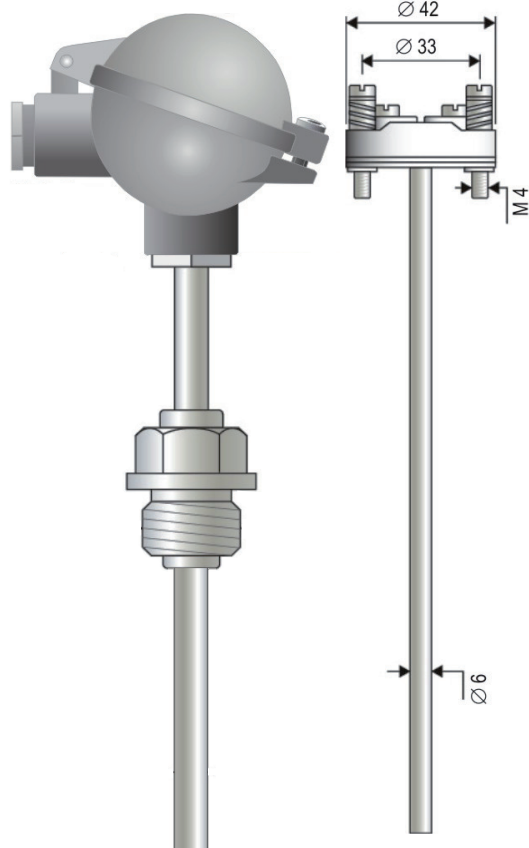


with terminal head BUZ, fixed screw, extension tube

TYPE: ZTB 720



Technical features

	Thermocouple	Plus	Minus	Norm
Thermocouple	Type K	NiCr	NiAl	IEC 584
	Type J	Fe	CuNi	IEC 584
	Type L	Fe	CuNi	DIN 43710
	Type T	Cu	CuNi	IEC 584
	Type N	NiCrSi	NiSi	IEC 584
	Type E	NiCr	CuNi	ICE 584
Sensor	1或2			
Accuracy	Class 1 DIN IEC 584			
Insulation material	MgO			
Sheath material	304 / 1.4301			
	316L / 1.4404			
	Inconel600			
	Titanium			
	Hastelloy			
	Wear-resistant steel			
	PTFE			
Sheath diameter	Diamond spar			
	6.0 mm	8.0 mm	9.0mm	11.0 mm 16.0 mm
Probe length	Other diameter on request Please specify			
Probe form	Straight bar (standard)			
	With holes			
	Reducing			
Electrical connection	M20*1.5			
Output	Thermocouple output(standard)			
	4~20mA			
	4~20mA ( HART agreement)			
	0~10V			
	0~10V ( HART agreement)			
Extension tube(C)	Other output on request			
	50mm			
	70mm (standard)			
	130mm			
Thread specification	Other length on request			
Accessories	Dimension on request(see attached list 1) Sheath(see attached list 2)			